

FEATURES

- For use with PC792A-C3
- Weather Proof Case
- Heat Stabilized Thermoplastic
- -40°C to 140°C Operating Temperature
- For use with Wire Harness
- Optional Crimp Terminals or with 12" Wires



ORDERING INFORMATION

Part Number	Description	Terminal	Form
SC792-C3	5 Pin Weatherproof Connector for Wire Harness	Crimp	1A, 1C
SC792-C3-5PIN-4WIRE	Pin Connector with 4 Wire Harness, without Mounting Bracket, SPDT, 12" Wire Leads, 14 awg at Load Contacts 30 and d87, 18 awg at Coil Contacts 85 and 86.	—	1A
SC792-C3-5PIN-5WIRE	5 Pin Connector with 5 Wire Harness, without Mounting Bracket, SPDT, 12" Wire Leads, 14 awg at Load Contacts 30, 87 and 87a, 18 awg at Coil Contact 85 and 86.	—	1A, 1C

Accessories

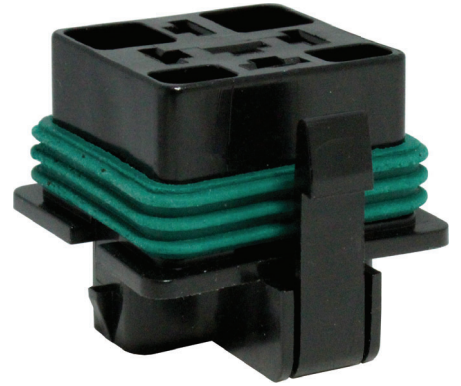
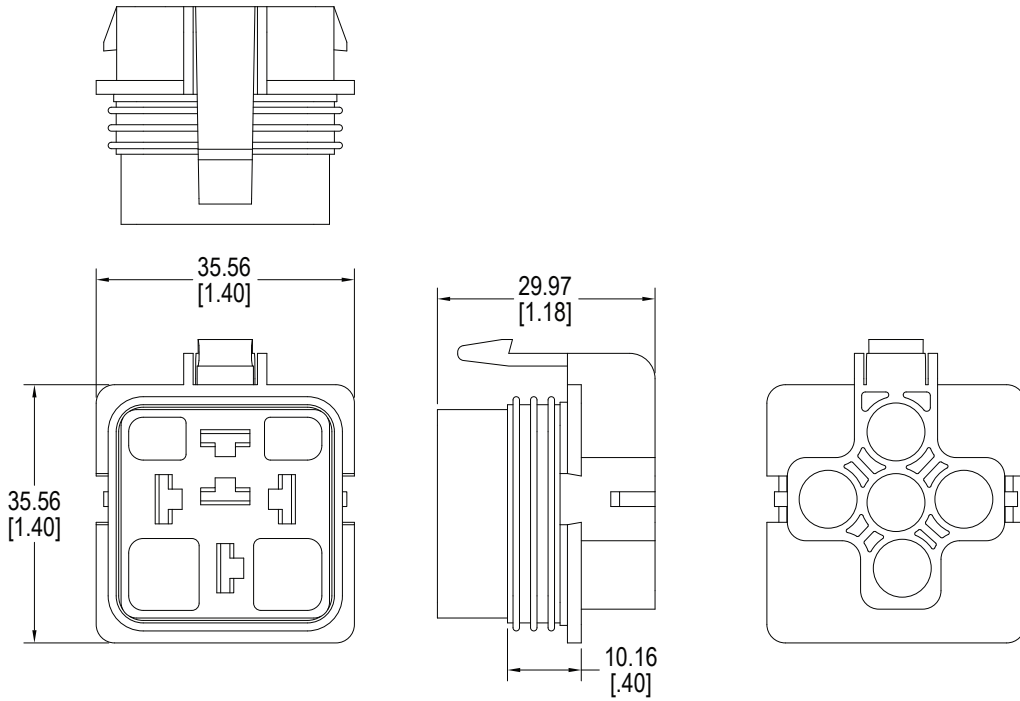
SC792-Seal-18-Orange	Orange Wire Seal for 18 gauge wire
SC792-Seal-14-16-Grey	Grey Wire Seal for 14-16 gauge wire
SC792-Seal-14-14-Yellow	Yellow Wire Seal for 12 gauge wire
SC792-Plug	Grey Plug for use in 1 Form A open circuit applications

Terminal Compatibility

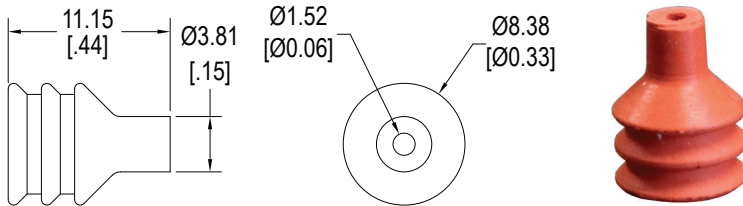
Company	Part Number	AWG	Blade
TE Connectivity	42100	14-18	1/4"
TE Connectivity	42281	14-18	1/4"
TE Connectivity	42904	12-16	1/4"
TE Connectivity	60249	12-16	1/4"
TE Connectivity	60253	12-14	1/4"

We reference these terminals to be used with our Automotive series connectors. Current capability of the terminals depends on the gauge of wire used, the quality of the crimp, the addition of solder or a weld, operating conditions, temperature cycling, etc. Terminals must be purchased separately.

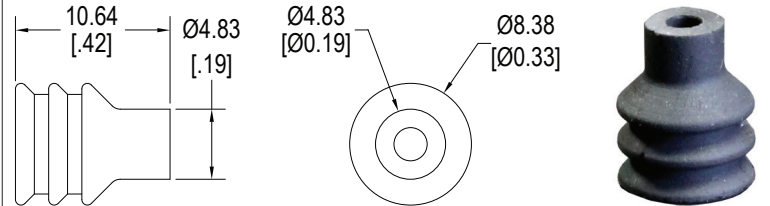
DIMENSIONS mm (inches)



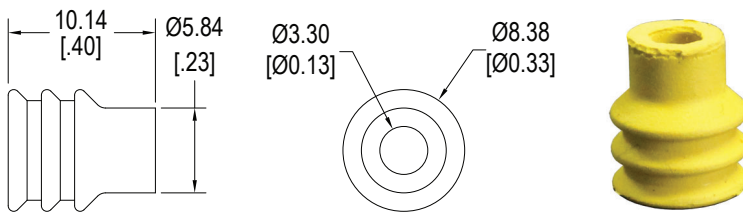
SC792-Seal-18-Orange



SC792-Seal-14-16-Grey



SC792-Seal-14-16-Yellow



SC792-Plug

