

For Use With PC118 Relay**FEATURES**

- Two Hold Down Clips Included
- Pressure Clamp Screws
- Two Versions
 - Open Terminals
 - Finger Safe Terminals
- RoHS Compliant

**ORDERING INFORMATION**

Part Number	Description	Terminals
SC118-2C-F1	8 Pin Socket	Open
SC118-2C-F2	8 Pin Socket	Finger Safe
SC118-3C-F1	11 Pin Socket	Open
SC118-3C-F2	11 Pin Socket	Finger Safe
SC118-4C-F1	14 Pin Socket	Open
SC118-4C-F2	14 Pin Socket	Finger Safe

Notes

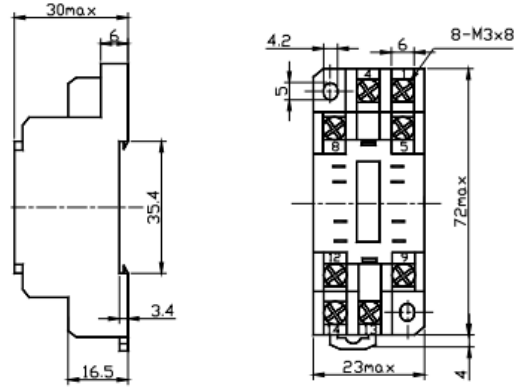
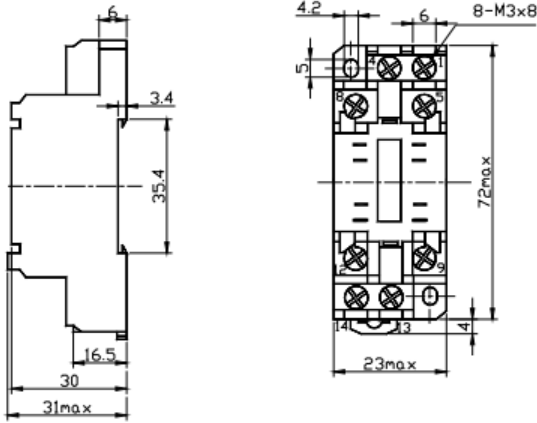
Two hold down clips included with each socket
All Picker Components Sockets have pressure clamp screws
Fits standard 35 mm Din Rail
Tolerances +/- 0.010 unless otherwise noted

Dimensions in Millimeters (mm)

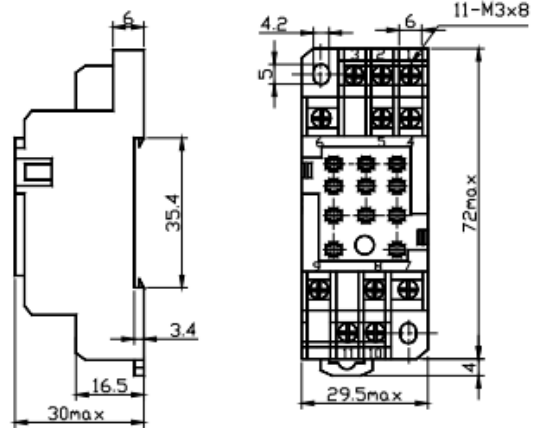
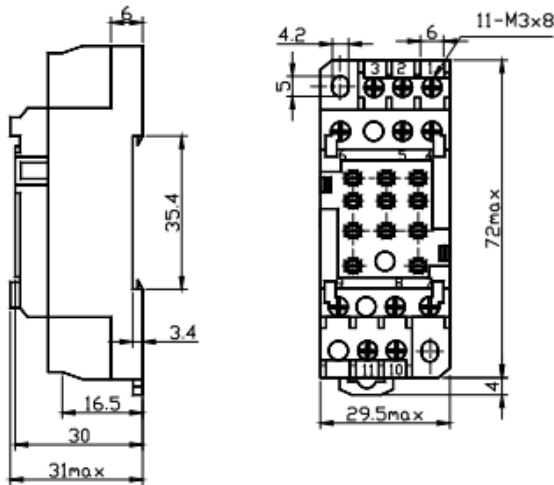
Socket
With Finger Safe Terminals

Socket
Without Finger Safe Terminals

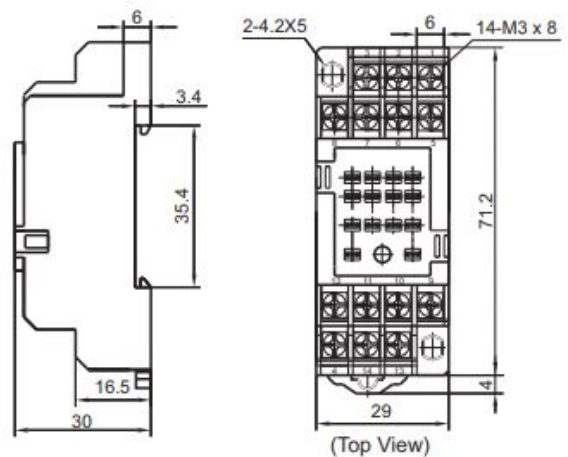
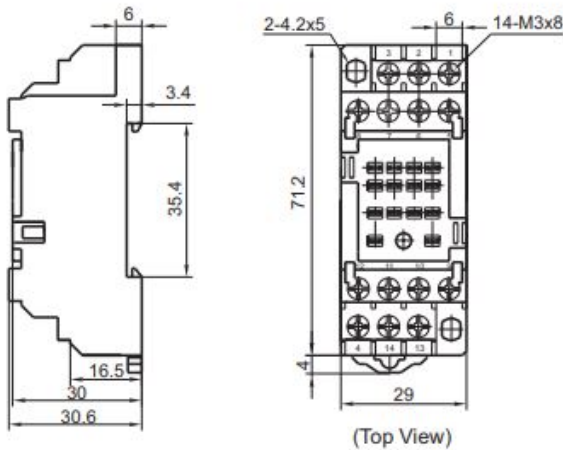
2 Form C



3 Form C



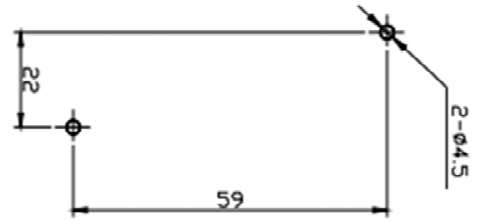
4 Form C



Mounting Dimensions
Top View

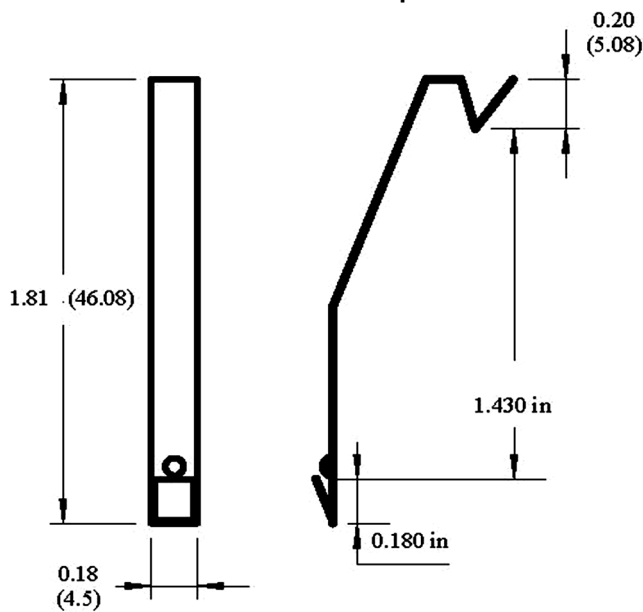


2C

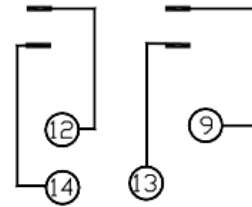
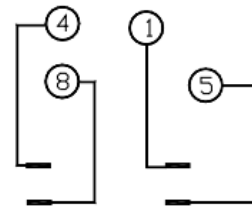


3C and 4C

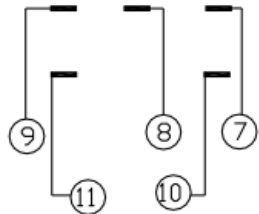
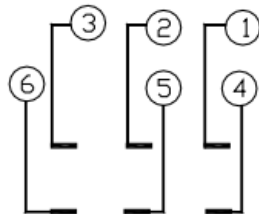
Hold Down Clip



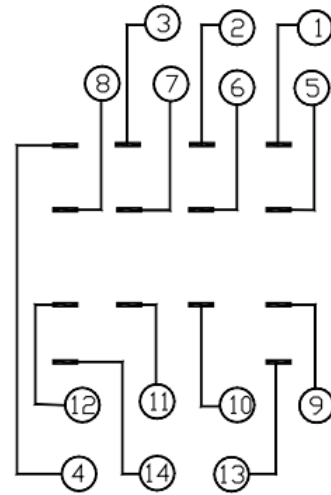
Terminal Layout
Top View



2 Form C



3 Form C



4 Form C